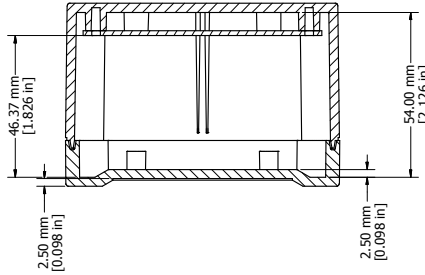
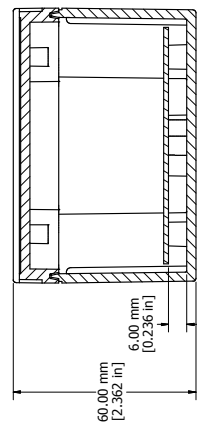


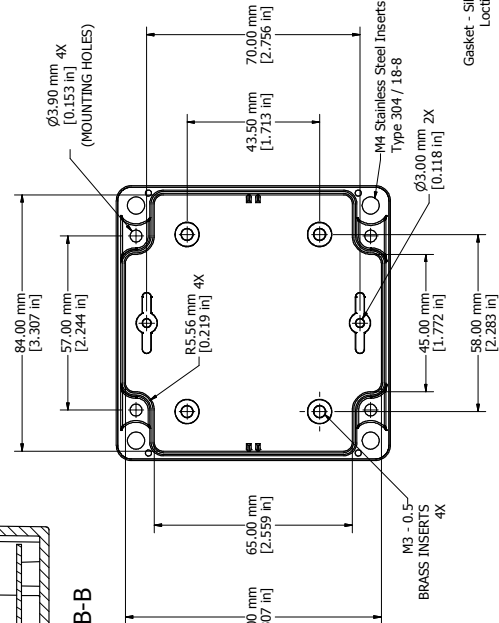
ASSEMBLY



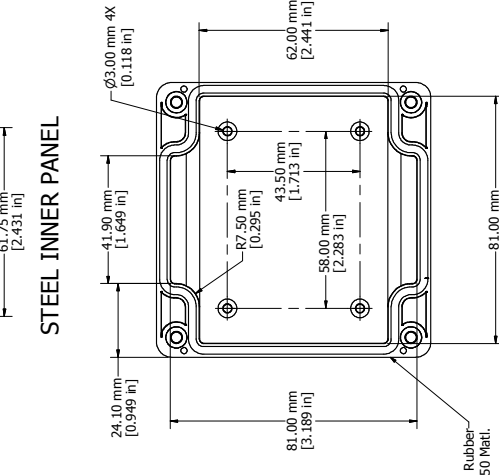
SECTION A-A



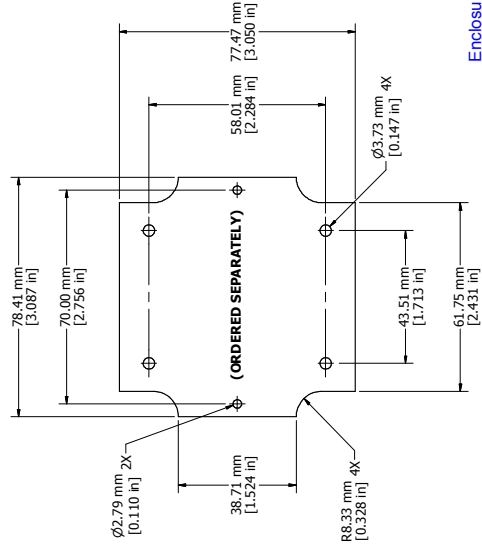
SECTION B-B



BOX - INSIDE

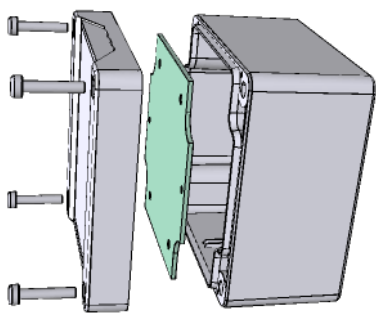


LID - INSIDE



STEEL INNER PANEL

**UL** US LISTED  
File # E65324  
NEMA 4, 4X



Enclosures can be Factory Modified ( Milling, Drilling, Printing etc. )  
Solid models of this enclosure available in STEP or IGES.  
Contact Factory [mjm@hammondmfg.com](mailto:mjm@hammondmfg.com)

**NOTE**  
Purchased assembly includes box, lid, and 4 cover screws  
Cover screws should be torqued to 2.5 lbf-in (30 cN-m)  
Polycarbonate version is UL 508 approved

1555E	
1555E Regular Enclosure	
General Purpose ABS RAL-7035 UL94 - HB	1556EGY
Polycarbonate RAL-7035 UL94 - V0 / 5VA @ 3mm	1555E2GY
ACCESSORIES	
Heavy Duty 18 Gauge Galvanized Steel Panels	1554EPL
Steel Panel / P.C. Board Machine Screw	1581MM100
[M3 x 8mm Nickel Plated]	
Steel Panel / P.C. Board Self Tapping Screw	1598ATS100
[#6 X 1/4" (6.4mm) Nickel Plated]	
Cover Screws (Pkg 4)	SC1564
[M4 X 20mm Type 304 Stainless Steel]	



[www.hammondmfg.com](http://www.hammondmfg.com)